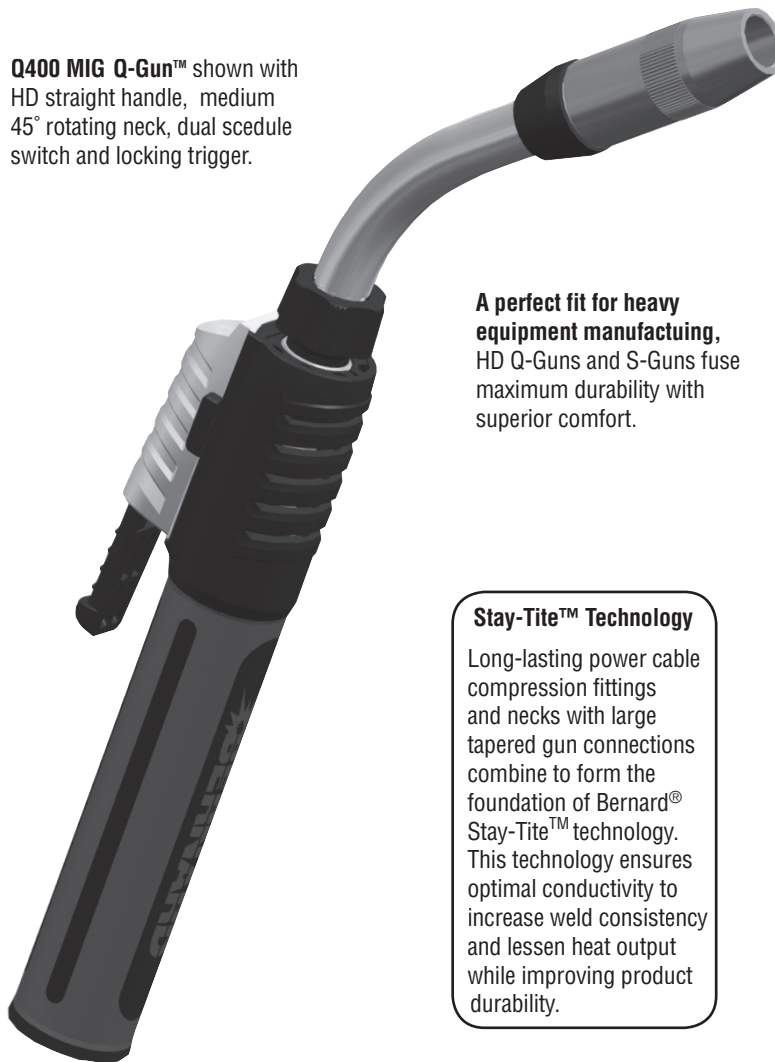


HD Q™ and S™ Series

300, 400, 500, 600 Amp MIG Guns

Issued Jan. 2008 • Index No. SPEC DRAFT

Q400 MIG Q-Gun™ shown with HD straight handle, medium 45° rotating neck, dual scedule switch and locking trigger.



A perfect fit for heavy equipment manufacturing. HD Q-Guns and S-Guns fuse maximum durability with superior comfort.

Stay-Tite™ Technology

Long-lasting power cable compression fittings and necks with large tapered gun connections combine to form the foundation of Bernard® Stay-Tite™ technology. This technology ensures optimal conductivity to increase weld consistency and lessen heat output while improving product durability.

All Guns are Not Created Equal.

A MIG gun should be durable, easy to use and customized to your specific application. Our MIG guns put you in control: you choose the options you need and we'll build a gun to last. We even ship most of our guns within 24 hours.

Centerfire™ contact tips, nozzles and diffusers are easy-to-use and high performing - they provide better arc starts, less spatter and more consistent welds - and also last up to three times longer than competitive brands.

One piece HD straight handle with rubber overmold is exceptionally durable and comfortable in multiple hand positions.

Armor protected standard locking trigger can be coupled with dual schedule switch, allowing guns to be performance matched to user preference.

Necks available in fixed, rotatable and multiple length options for optimal weld accessibility and improved operator comfort. Rotatable necks changeover without tools.

Patented Jump Liner allows quick neck change and replacement of only most commonly worn or clogged liner area, which reduces the amount of time a gun is offline and minimizes inventory.

Liners coiled in-house with proprietary process that improves wire feed performance and 100 percent tested to ensure smoothest wire feed in the industry.

Back end with durable rigid strain relief and easily interchangeable direct plugs and trigger leads connect to wire feeders and machines from major manufacturers and allow simple maintenance.

MIG Gun	Amperage Ratings				Description
	Duty Cycle				
	100% NEMA	100%CE	60% CE	35%CE	
Q300 / S300	350	320	370	470	CO ₂ Gas
	n/a	270	310	390	80%AR20%CO ₂
Q400 / S400	400	350	425	520	CO ₂ Gas
	n/a	285	350	440	80%AR20%CO ₂
Q500 / S500	500	420	480	575	CO ₂ Gas
	n/a	370	420	500	80%AR20%CO ₂
Q600 / S600	550	440	540	650	CO ₂ Gas
	n/a	420	500	550	80%AR20%CO ₂

Made with
Pride and without
Compromise in the **USA**

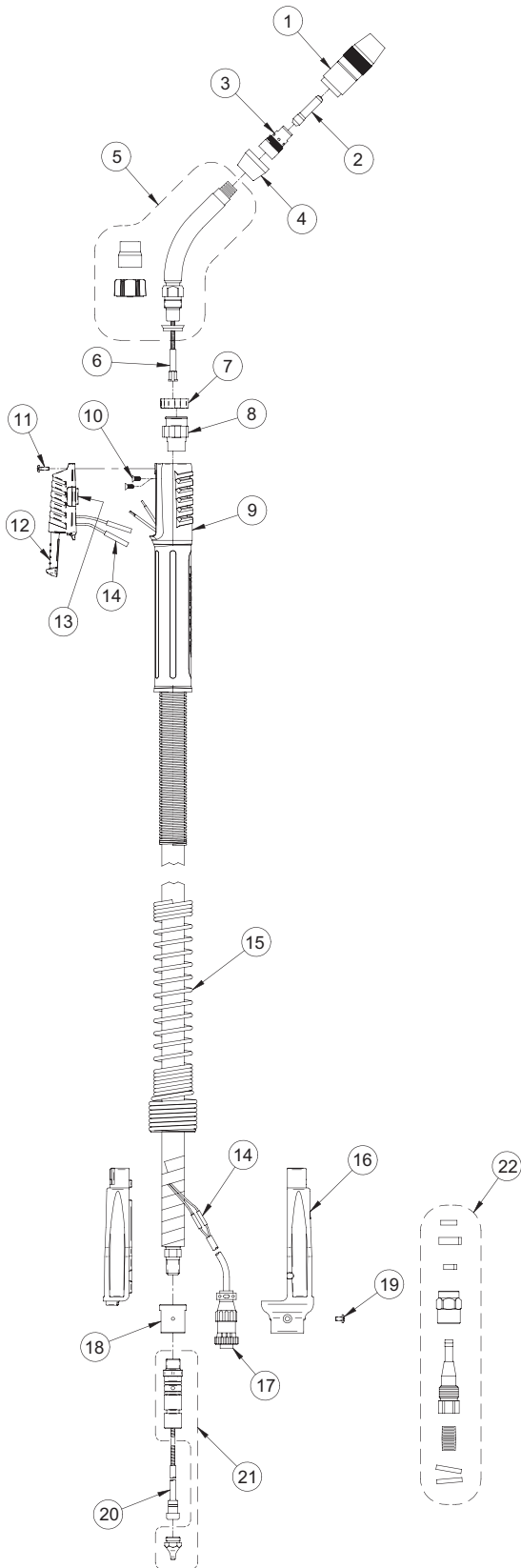
Bernard®

An Illinois Tool Works Company
449 West Corning Road, Box 667
Beecher, Illinois 60401 USA

Phone: 800-946-2281 (US Only) 708-946-2281 (Outside US)
Fax: 708-946-6726
For more information, visit us at BernardWelds.com



Replacement Parts List



ITEM #	Q300 / S300 PART #	Q400 / S400 PART #	Q500 / S500 PART #	Q600 / S600 PART #	DESCRIPTION
1	See Centerfire Spec Sheet				Nozzle Assy
2	See Centerfire Spec Sheet				Contact Tip
3	See Centerfire Spec Sheet				Gas Diffuser
4	See Centerfire Spec Sheet				Cap
5	See Neck Spec Sheet				Neck
6	See Jump Liner Spec Sheet				Jump Liner
7	1780074				End Cap
8	1680056				End Fitting, Q Tube Receiver
9	1880239				Handle Kit (Includes Handle Screw)
NS	Q300 / Q400 1680058	Q500 / Q600 1680055			Stay-Tite™ End Fitting
	S300 / S400 1680059	S500 / S600 1680057			
NS	1540012	1540011			Stay-Tite™ Cone Nut
NS	407709-013				Jacket Clamp (2 Req'd)
10	2280049				Cable Screw (2 Req'd)
11	4209				Handle Screw
12	2690064				Trigger Assy, Std., Locking (Includes 2 Butt Connectors & Std. Plug)
	2690067				Trigger Assy, Dual Schedule, Locking (Includes 4 Butt Connectors & D/S Cover)
13	2190009				Plug, Std. Trigger (Req'd for Std)
	2690062				Speed Switch Cover (Req'd for D/S)
NS	2620078				Leaf Spring, Dual Schedule (Req'd for D/S)
14	4932				Butt Connector (4 Req'd Std., 8 Req'd D/S)
15	Q300 2520033	Q400 thru Q600 2520041			Spring Strain Relief
	S300 thru S600 2520056				
16					Strain Relief Kit (Includes: Top & Bottom Halves)
	2520073				Strain Relief with Installed Gas Pin (Bernard Direct Plug)
	2520069				Strain Relief (Euro Direct Plug)
	2520066				Strain Relief (All Other DP's)
17	GN2021				Electrical Plug-Non D/S (Not Req'd on Bernard or Euro DP)
	20006A				Electrical Plug-D/S (Not Req'd on Bernard or Euro DP)
18	1010027				Adapter Block (Not Req'd on Bernard or Euro DP)
19	W11127-002				Screw, Strain Relief (Not Req'd on Bernard DP)
20	See Liner Spec Sheet				Liner
21	See Direct Plug Spec Sheet				Direct Plug Components
22	Q300 1983Q	Q400 1984Q	Q500 1985	Q600 1986	Rear Stay-Tite™ Repair Kit
	S300 N/A	S400 N/A	S500 N/A	S600 N/A	