

# Clean Air Gun™ Series

## 400, 600 Amp MIG Guns

Issued June 2011 • SPEC CA-1.8

400 Amp Clean Air Gun™



Bernard Clean Air Guns™ help create an efficient shop with reduced smoke and fumes regardless of your operation.

### All Guns are Not Created Equal.

A MIG gun should be durable, easy to use and customized to your specific application. Our MIG guns put you in control: you choose the options you need and we'll build a gun to last.

**Heavy-duty handles** for durability.

**45 degree bend** for maximum feeding characteristics.

**Chrome parts** to resist spatter adhesion.

**Adjustable vacuum chamber** maximizes suction without affecting shielding gas and provides for efficient smoke collection.

**Ideally suited for almost any heavy-duty MIG welding application.**

**Compatible with Centerfire™ series consumables** for better arc starts, less spatter, more consistent welds and longer tip life.

Made with  
Pride and without  
Compromise in the **USA**

### Clean Air Gun Part Number- 400 Amp

Amperage	Cable Length	Contact Tip Style and Wire Size	Direct Plug
CA4	10 10' (3.05 m)	A Elliptical, 7400 series, 1.25" long .045" (1.2 mm)	M Miller®
	15 15' (4.57 m)	B Elliptical, 7400 series, 1.25" long 1/16" (1.6 mm)	B Bernard®
	25 25' (7.63 m)	D Centerfire .045" (1.2 mm)	
		E Centerfire 1/16" (1.6 mm)	

### Clean Air Gun Part Number- 600 Amp

Amperage	Cable Length	Contact Tip Style and Wire Size	Direct Plug
CA6	10 10' (3.05 m)	A Elliptical, 7400 series, 1.25" long .045" (1.2 mm)	M Miller®
	15 15' (4.57 m)	B Elliptical, 1500 series, 2.00" long HD 1/16" (1.6 mm)	B Bernard®
	25 25' (7.63 m)	C Elliptical, 1500 series, 2.00" long HD 3/32" (2.4 mm)	
		D Centerfire .045" (1.2 mm)	
		E Centerfire 1/16" (1.6 mm)	
		F Centerfire 3/32" (2.4 mm)	

Note: A minimum of 70 CFM @ 35" H<sub>2</sub>O of air flow is required for efficient operation.

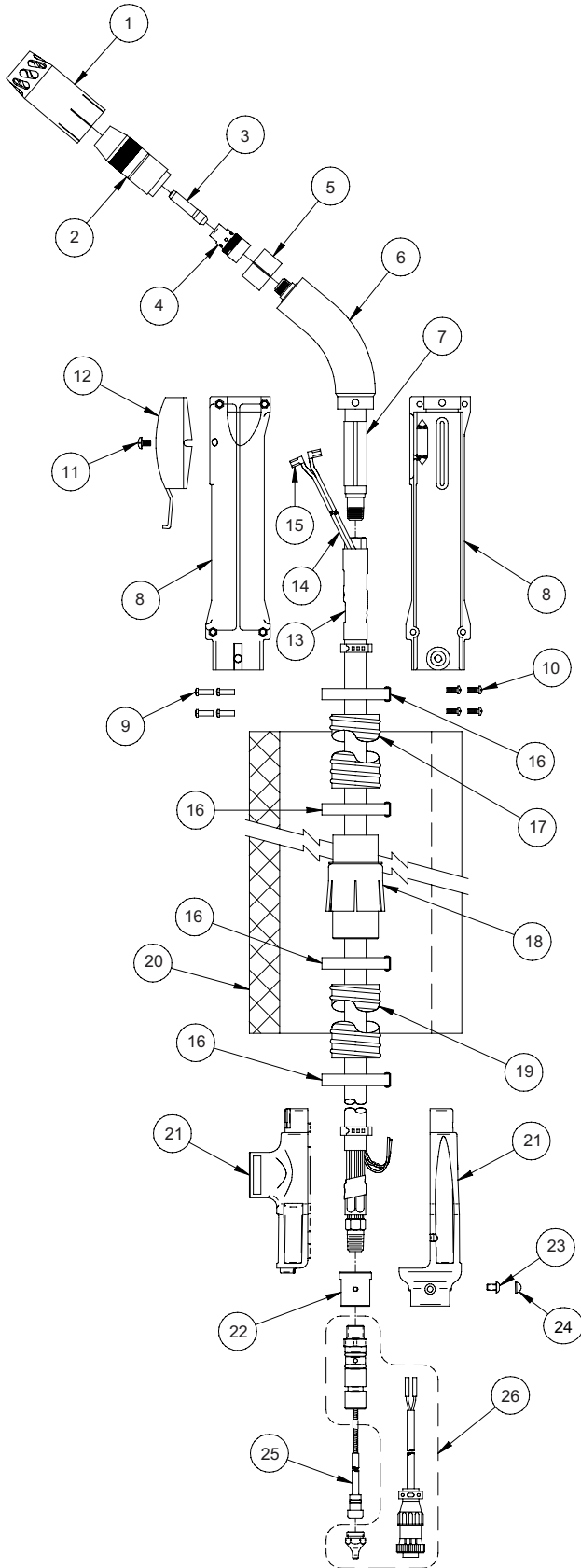
### Bernard®

An Illinois Tool Works Company  
449 West Corning Road, Box 667  
Beecher, Illinois 60401 USA

Phone: 800-946-2281 (US Only) 708-946-2281 (Outside US)  
Fax: 708-946-6726  
For more information, visit us at [BernardWelds.com](http://BernardWelds.com)



# Replacement Parts List



ITEM #	400A PART #	600A PART #	DESCRIPTION
1	1390006	1390008	Vacuum Chamber, Elliptical
	1390090	1390091	Vacuum Chamber, Centerfire
2	<i>See Centerfire Spec Sheet</i>		Nozzle Assy
3	<i>See Centerfire Spec Sheet</i>		Contact Tip
4	<i>See Centerfire Spec Sheet</i>		Gas Diffuser
5	2460016	2460015	Spacer
6	2390002	2390001	Vacuum Tube
7	1040049		Body Tube
8	1880037		Handle Kit ( <i>Includes: (4) #9, (4) #10, (2) #11, (1) #16</i> )
9	4207		Post Fastener ( <i>4 Req'd</i> )
10	4209		Screw ( <i>4 Req'd</i> )
11	418		Trigger Screw ( <i>2 Req'd</i> )
12	422		Trigger Assy
13	9096		Shrink Tube
14	1130016		Lead Set
15	457		Flag Terminal
NS	4932		Butt Connector
16	1520011		Clamp Headless ( <i>4 Req'd</i> )
17	1800012		Vacuum Hose, Front
18	1880036		Swivel Kit ( <i>Includes: (2) #16</i> )
19	1800011		Vacuum Hose, Rear ( <i>Order same length as gun: 10' for 10' gun, etc.</i> )
20	1860005		Cable Jacket with Velcro ( <i>For 10' gun</i> )
	1860008		Cable Jacket with Velcro ( <i>For 15' &amp; 25' gun</i> )
21	2520077		Strain Relief Assy, Miller
	2520076		Strain Relief Assy, Bernard
22	1010027		Adapter Block ( <i>Not Req'd on Bernard Direct Plug</i> )
23	2280056		Screw, Strain Relief ( <i>Not Req'd on Bernard Direct Plug</i> )
24	1620003		Screw Cover, Strain Relief ( <i>1 Req'd</i> )
25	<i>See Liner Spec Sheet</i>		Liner
26	<i>See Direct Plug Spec Sheet</i>		Direct Plug Components
NS	1880245		Vacuum Adapter Kit ( <i>Includes: (1) 2-1/8" to 1-1/2" threaded hose fitting, (1) hose clamp</i> ). <i>Note: Use to connect gun to Miller Filtair 130 or other extraction units with similar threaded hose ID.</i>

### CALIFORNIA PROPOSITION 65 WARNING

This product contains chemicals, including lead, known to the state of California to cause cancer, and birth defects or other reproductive harm. *Wash hands after use.*