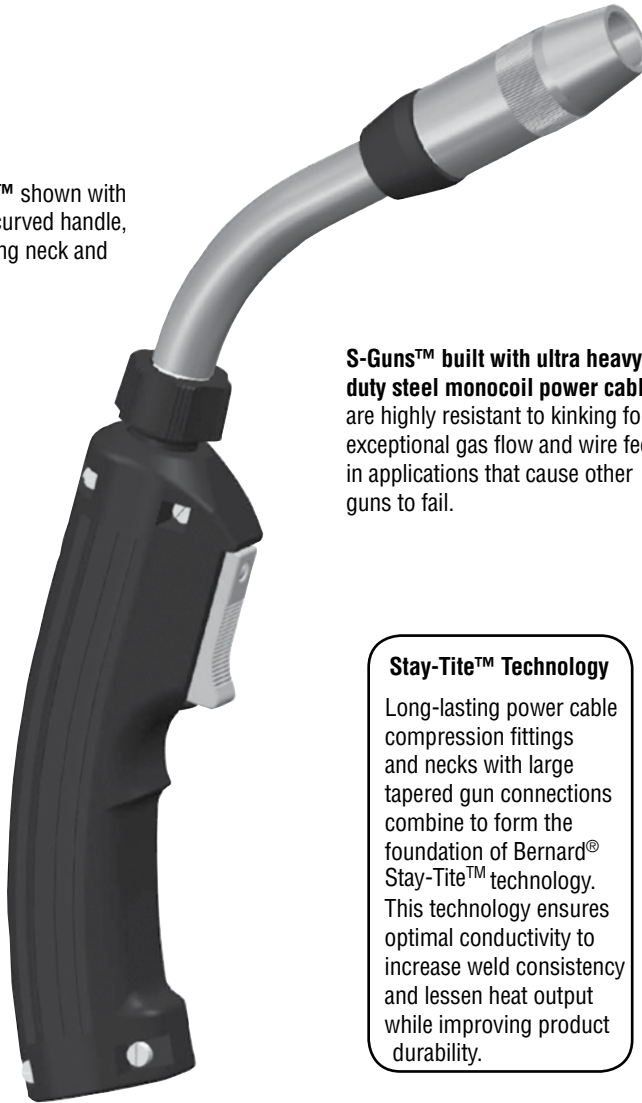


Q™ and S™ Series with OXO® style large handle

400, 500, 600 Amp MIG Guns

Issued June 2011 • Index No. SPEC QS456X-1.4

Q500 MIG Q-Gun™ shown with OXO® style large curved handle, medium 45° rotating neck and standard trigger.



S-Guns™ built with ultra heavy-duty steel monocoil power cables are highly resistant to kinking for exceptional gas flow and wire feed in applications that cause other guns to fail.

Stay-Tite™ Technology

Long-lasting power cable compression fittings and necks with large tapered gun connections combine to form the foundation of Bernard® Stay-Tite™ technology. This technology ensures optimal conductivity to increase weld consistency and lessen heat output while improving product durability.

All Guns are Not Created Equal.

A MIG gun should be durable, easy to use and customized to your specific application. Our MIG guns put you in control: you choose the options you need and we'll build a gun to last. We even ship most of our guns within 24 hours.

Centerfire™ contact tips, nozzles and diffusers are easy-to-use and high performing - they provide better arc starts, less spatter and more consistent welds - and also last up to three times longer than competitive brands.

Necks available in fixed, rotatable and multiple length options for optimal weld accessibility and improved operator comfort. Rotatable necks changeover without tools.

Patented Jump Liner allows quick neck change and replacement of only most commonly worn or clogged liner area, which reduces the amount of time a gun is offline and minimizes inventory.

OXO® style handle option allows configuration of Bernard Q-Gun or S-Gun with feel similar to former OXO APX gun.

Back end with durable rigid strain relief and easily interchangeable direct plugs and trigger leads connect to wire feeders and machines from major manufacturers and allow simple maintenance.

MIG Gun	Amperage Ratings				Description
	Duty Cycle				
	100% NEMA	100% CE	60% CE	35% CE	
Q400 / S400	400	350	425	520	CO ₂ Gas
	n/a	285	350	440	80%AR20%CO ₂
Q500 / S500	500	420	480	575	CO ₂ Gas
	n/a	370	420	500	80%AR20%CO ₂
Q600 / S600	550	440	540	650	CO ₂ Gas
	n/a	420	500	550	80%AR20%CO ₂

Made with
Pride and without
Compromise in the **USA**

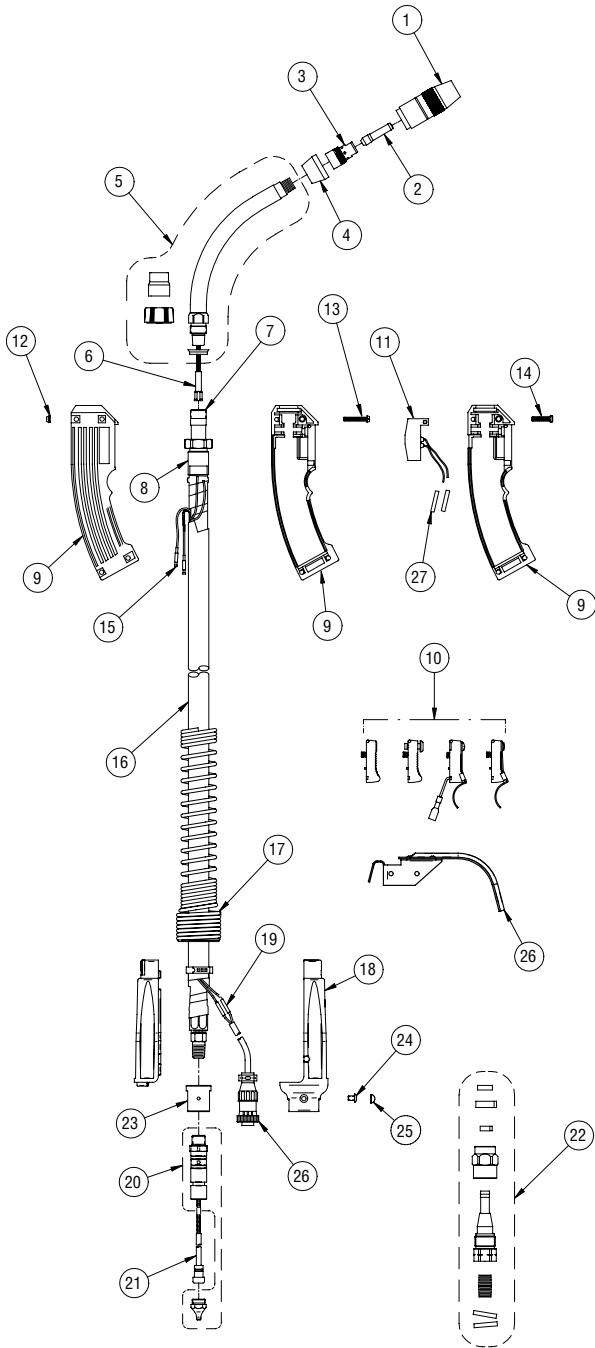
Bernard®

An Illinois Tool Works Company
449 West Corning Road, Box 667
Beecher, Illinois 60401 USA

Phone: 800-946-2281 (US Only) 708-946-2281 (Outside US)
Fax: 708-946-6726
For more information, visit us at BernardWelds.com



Replacement Parts List



ITEM #	Q400 / S400 PART #	Q500 / S500 PART #	Q600 / S600 PART #	DESCRIPTION
1	See Centerfire Spec Sheet			Nozzle Assy
2	See Centerfire Spec Sheet			Contact Tip
3	See Centerfire Spec Sheet			Gas Diffuser
4	See Centerfire Spec Sheet			Cap
5	See Neck Spec Sheet			Neck
6	See Jump Liner Spec Sheet			Jump Liner
7	Q400 1680049	Q500 1680050	Q600 1680050	Stay-Tite™ End Fitting
	S400 1680047	S500 1680048	S600 1680048	
8	Q400 1540003	Q500 1540004	Q600 1540004	Stay-Tite™ Cone Nut
	S400 CB9201	S500 20038	S600 CB9206	
NS	Q400 1520017	Q500 4993	Q600 4993	Conduit Clamp (2 Req'd)
	S400 Not Needed	S500 Not Needed	S600 Not Needed	
NS	Q400 4939	Q500 4944	Q600 4944	Jacket Clamp (2 Req'd)
	S400 407709-013	S500 407709-013	S600 407709-013	
9	1880220			*Handle Kit - Std. Trigger, Locking Trigger & Dual Pull Trigger
	1880221			*Handle Kit - D/S Std. Trigger & D/S Locking Trigger
10	177488			Trigger, Standard
	MS2110			Trigger, Locking
	2620062			Trigger, Dual Pull w/Extension
	177379			Trigger, Standard w/Extension
11	PDS			Switch Assembly, Dual Schedule (Includes Switch, Housing & Screws)
12	177272			Nut, Square (4 Req'd Non-D/S, 3 Req'd D/S)
13	203296-005			Screw (4 Req'd Non-D/S, 3 Req'd D/S)
14	20005			Screw, Modified (1 Req'd D/S)
15	177271			Contact Pin (2 Req'd)
16	177289	N/A		Support, Cable
17	Q-Guns 2520041			Strain Relief
	S-Guns 2520056			
18				Rigid Strain Relief Kit (Includes: Top & Bottom Halves)
	2520073			Strain Relief with Installed Gas Pin (Bernard Direct Plug)
	2520069			Strain Relief (Euro Direct Plug)
	2520066			Strain Relief (Miller, Lincoln, Tweco and All Other Direct Plugs)
19	4932			Butt Connector (2 Req'd Non-D/S, 4 Req'd D/S)
20	See Direct Plug Spec Sheet			Direct Plug Components
21	See Liner Spec Sheet			Liner
22	Q400 1984Q	Q500 1985	Q600 1986	†Rear Stay-Tite™ Repair Kit
	S400 N/A	S500 N/A	S600 N/A	
23	1010027			Adapter Block (Not Req'd on Bernard or Euro Direct Plug)
24	2280056			Screw, Strain Relief (Not Req'd on Bernard Direct Plug)
25	1620003			Screw Cover, Strain Relief (1 Req'd)
26	GN2021			Electrical Plug-Non D/S (Not Req'd on Bernard or Euro DP)
	20006A			Electrical Plug-D/S (Not Req'd on Bernard or Euro Direct Plug)
27	KT177353			Heat Shield Kit (Includes Screws & Nuts)

*1880220 and 1880221 Handle Kits include halves, screws and nuts.

†1984Q, 1985 and 1986 Rear Stay-Tite™ Repair Kit includes jacket clamp, conduit clamp, Stay Tite™ cone nut, Stay-Tite™ end fitting, nipple, spacer, and butt connectors.

